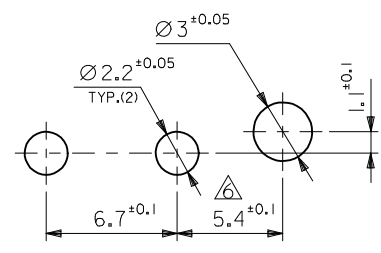
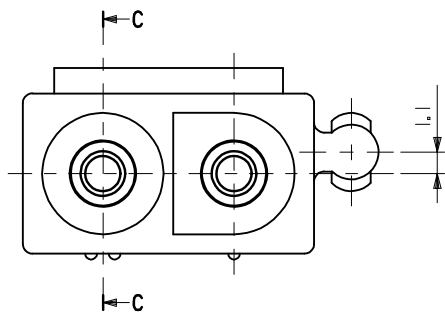
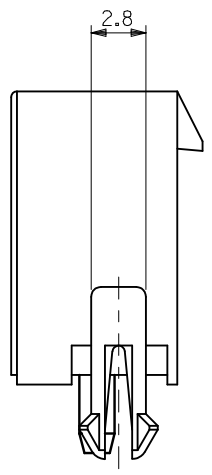
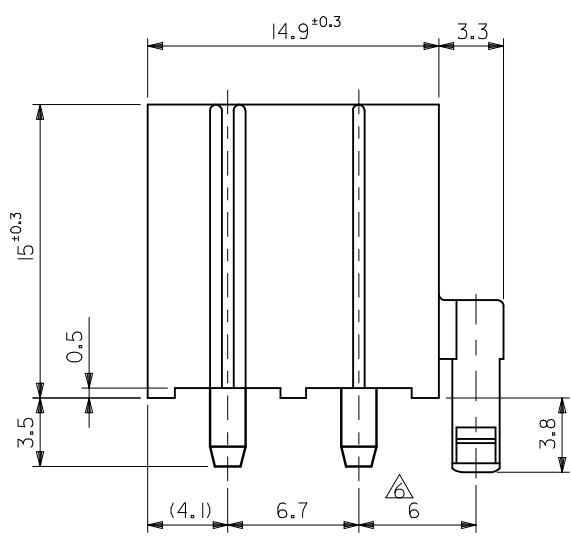
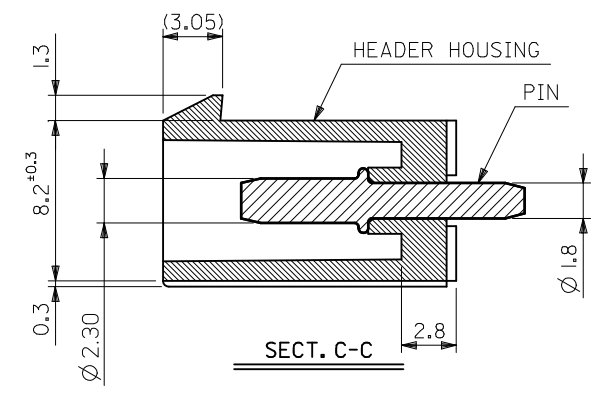


10 9 8 7 6 5 4 3 2 1



RECOMMENDED P.C.BOARD HOLE DIM.



NOTES:

- 1) MATERIAL:
HOUSING: "BLANK" = NYLON 6/6, UL94V-2, COLOR: NATURAL
"201" = NYLON 6/6, UL94V-0, COLOR: NATURAL
TERMINAL: C2700W BRASS
- 2) FINISH: 0.000003/(.0000001) MIN. TIN OVERALL OVER
0.000001/(.00000004) MIN. NICKEL OVERALL
- 3) PRODUCT SPECIFICATION: NONE
- 4) PACKAGING: NONE
- 5) MATES WITH: 3191-02R SERIES
DIFFERENCE OF DIMENSION TO PREVENT RISE FROM P.C.B.
- 7) PARTS CONFORM TO CLASS 'B' REQUIREMENTS OF COSMETIC SPECIFICATION PS-45499-002.

2	39-28-7028	5219-02A-201
	15-31-1026	5219-02A
CIRCUITS	EDP.NO.	ENG.NO.

SCALE ---	DESIGN UNITS METRIC	THIRD ANGLE PROJECTION
--------------	------------------------	---------------------------

TITLE
**NEW INTERNATIONAL CONN.
HEADER AND ASSY**

molex MOLEX INCORPORATED

DOCUMENT NO. SD-5219-02A*-* SHEET NO. 1 OF 1

UPDATE DIMENSION EC NO: UCP2009-0207 DRWG:GAVRILL 2008/11/04 CHKD:AEHLHAG 2008/11/13 APPR:FSMITH 2008/11/18	QUALITY SYMBOLS	GENERAL TOLERANCES (UNLESS SPECIFIED)	DIMENSION STYLE MM ONLY
	▽=0	mm INCH	DRAWN BY DATE
	▽=0	4 PLACES ± --- ± ---	H.HASEGAWA 1994/10/26
		3 PLACES ± --- ± .005	CHECKED BY DATE
		2 PLACES ± 0.13 ± .010	H.HIRAMOTO 1996/02/26
	1 PLACE ± 0.25 ± ---	APPROVED BY DATE	
	ANGULAR ± 1 °	M.FUKUSHIMA 1996/02/26	
		MATERIAL NO.	SEE CHART
			THIS DRAWING CONTAINS INFORMATION THAT IS PROPRIETARY TO MOLEX INCORPORATED AND SHOULD NOT BE USED WITHOUT WRITTEN PERMISSION

DRAFT WHERE APPLICABLE
MUST REMAIN
WITHIN DIMENSIONS

SIZE B

9 8 7 6 5 4 3 2 1